

Remote Data Displays



Displays comprehensive status of PV Array, Controller, and Battery System

- **Battery State of Charge (SOC) displayed in Percent Full, Bar-Graph, and Amp-Hours**
- **PV current and voltage**
- **Battery charge/discharge Amps**
- **Over a year of system history with an SD Memory Card (included)**

Wireless version

- **100-foot range in buildings**
- **300 feet outside (line of sight)**
- **Repeater available**
- **FCC approved**
- **Includes rechargeable batteries**

Wired version

Low-cost serial data/power from the T80

Wall-mountable Desktop enclosure

Transflective LCD with Backlight

RD100 (Wireless) and RD-Wired

Remote Readouts for the **T80 TurboCharger™** 80Amp Charge Controller

Monitor the PV-Battery System from Anywhere

The Displays provide Battery-System Management in a convenient, portable package. See what the PV array, Charge Controller, Batteries, and Load are doing at any moment. You can also check the results for each day for the last year.

Battery Energy-Monitor Display Is Essential

The T80 includes a built-in Energy Monitor using TriMetric™ Technology from Bogart Engineering. The monitor tracks power production and consumption, then calculates the energy remaining in the battery. State-of-Charge (SOC) is displayed in Percent Full, Amp-Hours, and Bar-Graph format, an easy-to read “gas gauge” essential for optimal performance of battery-based systems. The T80 goes further by recording 90 days of historical data on energy production, usage, and number of days since fully charged. The Remote Display shows all the information at a glance in one convenient location, expanded to a year using the SD Memory Card.

Wireless Option Card for the T80 TurboCharger™

The Wireless Network Option Card installed in the T80 Option Card slot comes with a chassis mount antenna.

Simple installation – No Set-Up or Programming

The wireless version couldn't be easier, just turn it on. The wired version is plug-and-play. Either Remote Display can be added to any T80 TurboCharger™ in the field.



Wireless Version RD100

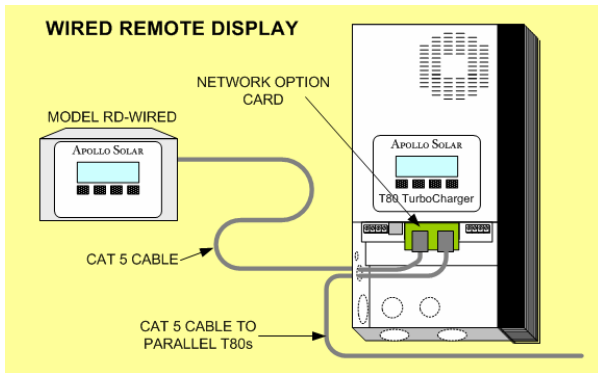
The wireless board includes internal antenna and rechargeable NiMH batteries with on-board charging. Charging input may be 12v to 24v DC or 115VAC using the plug-in wall transformer.

Wired Version RD-Wired

The Network Option Card provides the data and power for the Remote Display utilizing CAT5 cable.

SPECIFICATIONS

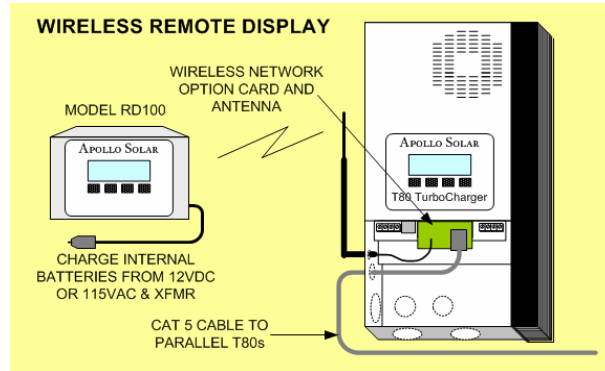
REMOTE DISPLAY – WIRED



CAT5 port on T80 TurboCharger™ Network Option Card provides 12 volts to power the Remote Display.

Cable Type CAT 5
Maximum cable length..... 300m (1000 ft)

REMOTE DISPLAY – WIRELESS



Range 30m (100ft) in buildings
100m (300ft) line of sight
Extended Range ... Repeater available

Charger Input..... 12VDC to 24VDC or 115VAC (w/ transformer)

SPECIFICATIONS Common to Both Wired/Wireless Remote Displays

Display type	LCD 4 lines 20 characters Transflective with backlight
T80 Information Displayed	SOC bar graph, SOC %, Amp-hours remaining, PV Input Voltage & Current, Battery Voltage & Current, Net battery charge / discharge current System charging history up to a year
Unit dimensions	18.5cm X 11cm X 6cm (7.3" X 4.3" X 2.4") Width X Height X Depth
Shipping dimensions	28cm X 20cm X 18cm (11" X 8" X 7")
Weight	RD-Wired: 318gm (12oz) RD-100: 635gm (1.4lbs)
Environmental rating	Indoor Type 1 (Not intended for use in extremely damp locations)
SD Memory Card	Up to 2.0 GB, FAT16 file format



(800) 967-6917
www.dcpower-systems.com



APOLLO SOLAR

MORE POWER TO YOU

23 F. J. Clarke Circle
Bethel, CT 06801
(203) 790-6400

www.Apollo-Solar.net